



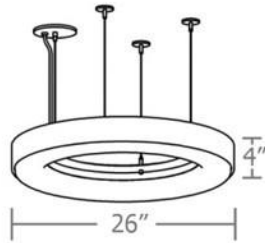
wht.wal™ 5-slider

your lighting rep has recommended the **wht.wal™** ring pendant for your project
Let's take a quick look:

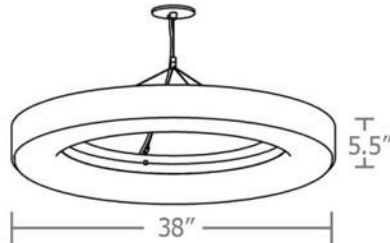


sizes and lumens

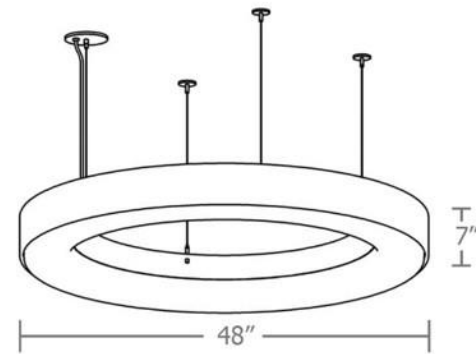
P6326



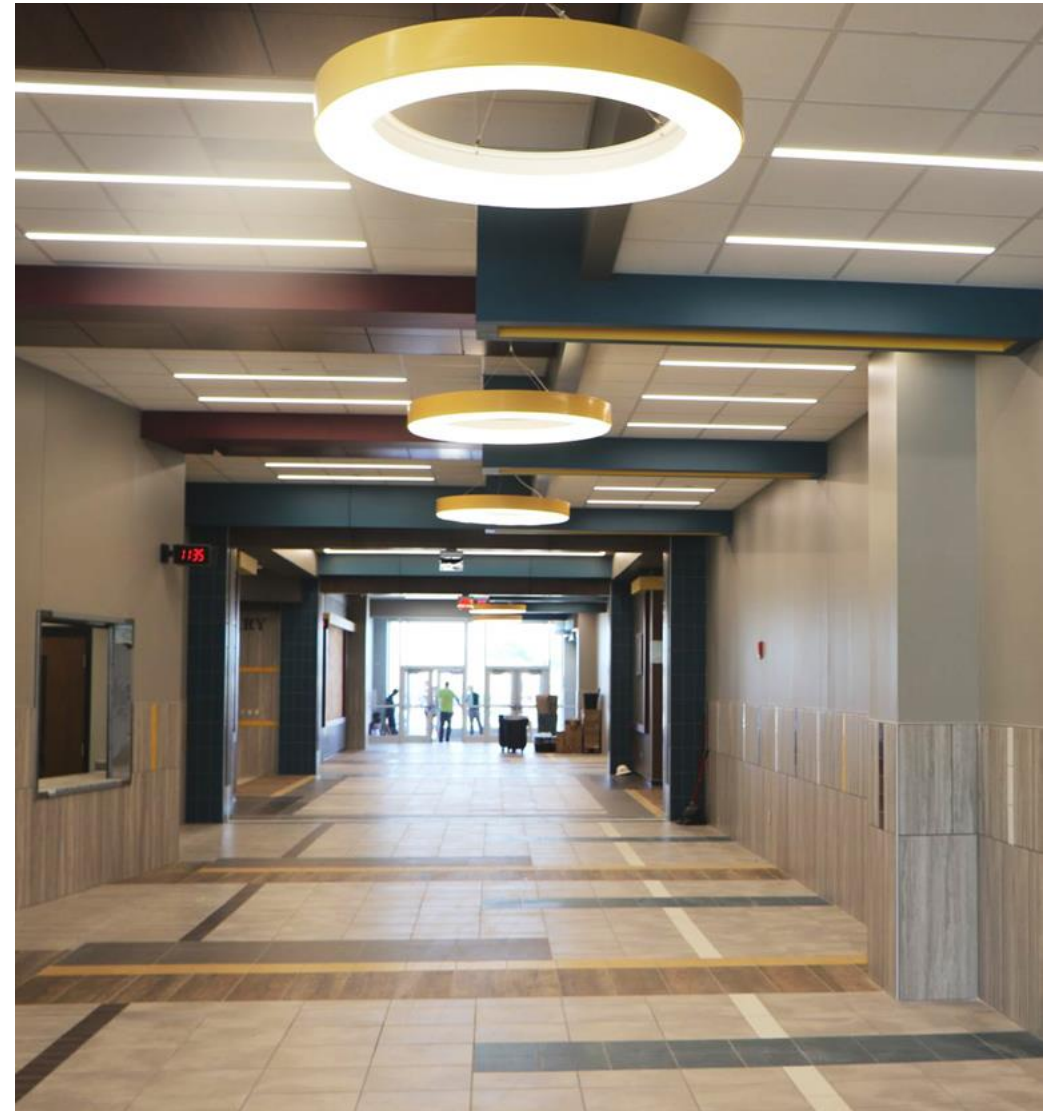
P6338



P6348



- P6326 (26") / 1310 – 4890 lm
- P6338 (38") / 1750 – 6140 lm
- P6348 (48") / 2160 – 8250 lm



construction

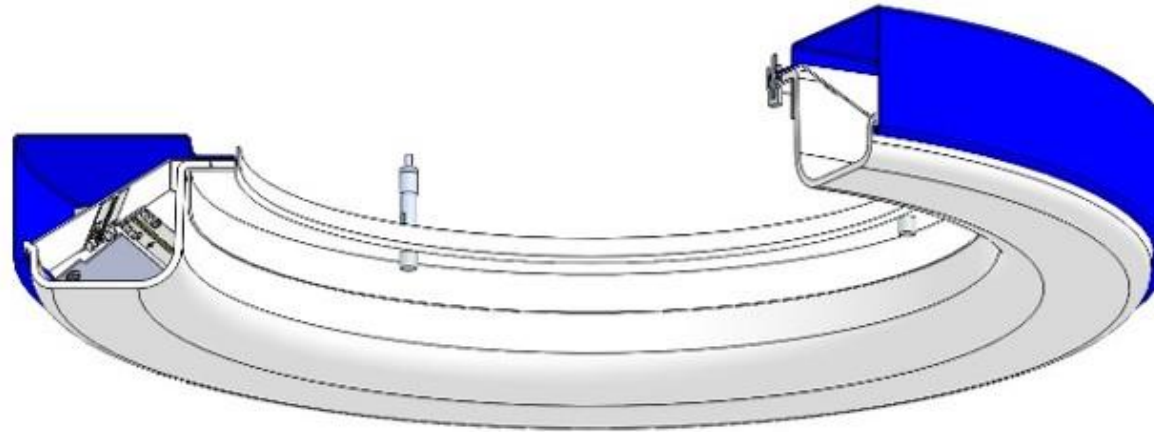
integral programmable drivers, field maintainable, universal input (120-277v), 0-10v controllable to 1% dimming.

5" dia. spun steel canopy with field adjustable stainless steel four-point vertical suspension or quadpod to single point

metal core LED boards mechanically held in place for easy maintenance

high reflectance matte white powder coat aluminum reflector

LED boards **90cri** standard 3000k, 3500k, 4000k



precision CNC spun .063" aluminum housing w/ rolled bottom edge for added strength

15 standard powder coat finishes + custom RAL colors

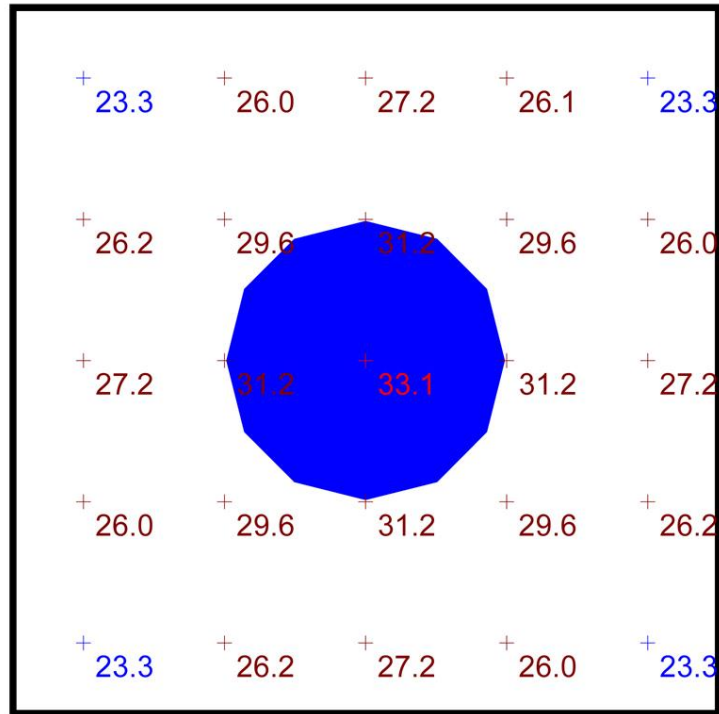
seamless single piece donut- shaped translucent white acrylic diffuser

.177" virgin white acrylic bottom/inner lens



performance

Statistics						
Description	Symbol	Avg	Max	Min	Max/Min	Avg/Min
wht.wal pendant	+	27.5 fc	33.1 fc	23.3 fc	1.4:1	1.2:1



Plan View
Scale - 1" = 2ft



- 10' x 10' x 14'H space
- 80/50/20 reflectances
- bottom of fixture at 12' aff
- FC readings at 2.5' aff
- layout conducted using P6348 HI lumen package (8250 delivered lumens) 90 cri



www.impactltg.com

- spec sheet and color chart
- photometric files and BIM models
- built to order in Saint Louis, MO, USA
- 4-week lead time

wht.wal™ 5-slider

